



KITCHEN FAUCET

- **Non-Metallic Faucet**
- **Two-Handle Deck Mount**
- **4-Hole Installation**

STANDARD SPECIFICATIONS

- Washerless cartridge
- ABS body, POM waterway
- Side-spray with black spray head (UF08025C)
- Side-spray with matching spray head (UF08325C & UF08525C)
- Shank inlet with 1/2" male NPSM connection
- 2.2gpm max @ 60psi

FINISHES INCLUDE

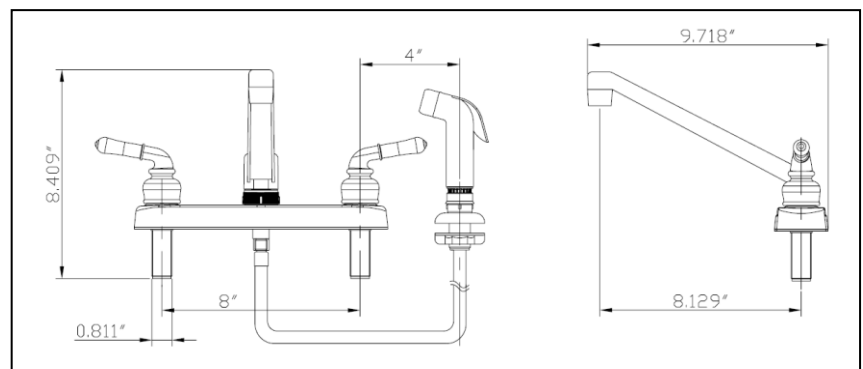
- Chrome (UF08025)
- Stainless steel (UF08325C)
- Oil rubbed bronze (UF08525C)

WARRANTY

- Five year limited warranty on workmanship and materials to the original purchaser

COMPLIES WITH

- NSF 61-9
- ASME A112.18.1
- CSA B125.1
- cUPC
- AB1953



tel. 888-OK-ULTRA (658-5872) • fax. 949-225-6099 • <http://www.ultrafaucets.com>

This specification is provided for reference only. Ultra Faucets reserves the right to modify specifications and materials without notice or obligation.