



# LAVATORY FAUCET

- **Non-Metallic Faucet**
- **Single-Handle Deck Mount**
- **3-Hole Installation**
- **4" Centerset**

## STANDARD SPECIFICATIONS

- Washerless cartridge
- ABS body, POM waterway
- Less pop-up assembly
- Shank inlet with 1/2" male NPSM connection
- 2.2gpm max @ 60psi

## FINISHES INCLUDE

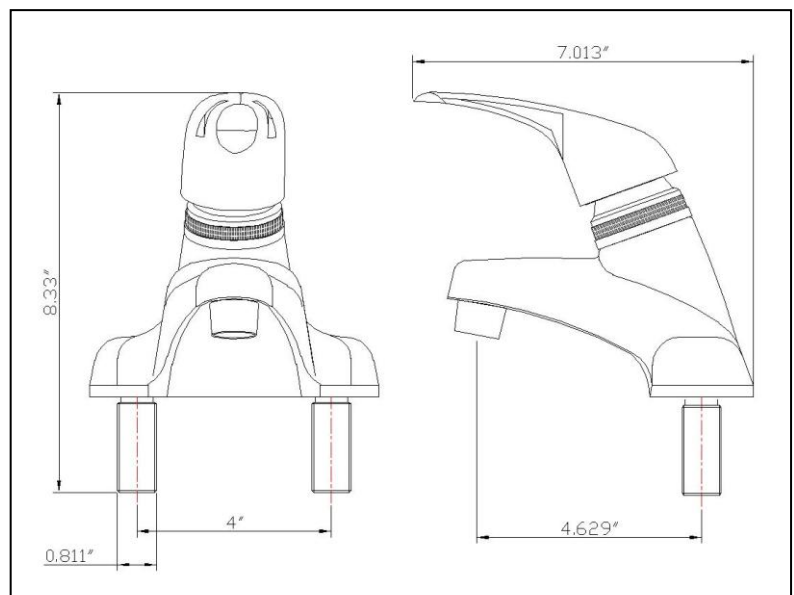
- Chrome (UF08031)
- Brushed nickel (UF08331)
- Oil rubbed bronze (UF08531)

## WARRANTY

- Five year limited warranty on workmanship and materials to the original purchaser

## COMPLIES WITH

- NSF 61-9
- ASME A112.18.1
- CSA B125.1
- cUPC
- AB1953



tel. 888-OK-ULTRA (658-5872) • fax. 949-225-6099 • <http://www.ultrafaucets.com>

*This specification is provided for reference only. Ultra Faucets reserves the right to modify specifications and materials without notice or obligation.*