



KITCHEN FAUCET

- Contemporary Collection
- Single-Handle Deck Mount
- 3-Hole Installation

STANDARD SPECIFICATIONS

- Single-handle kitchen faucet for exposed mounting on three-hole sinks
- Ceramic disc cartridge
- Side-spray with matching spray head
- Copper tube inlet with 1/2" male NPSM connection
- NEOPERL® aerator 1.8gpm max @ 60psi

FINISHES INCLUDE

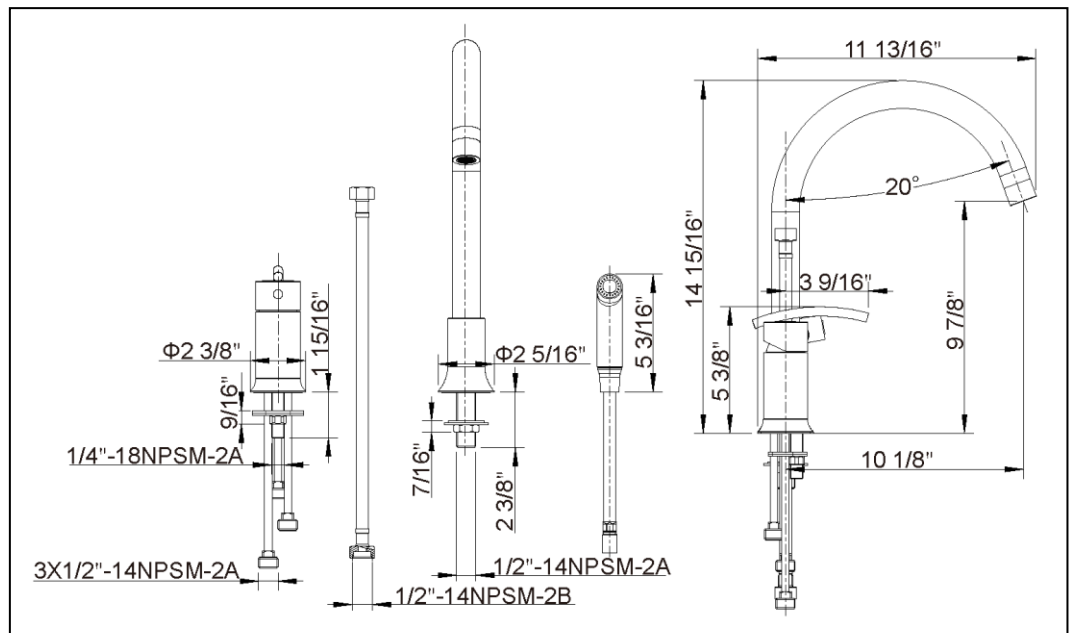
- Chrome (UF11140)
- Stainless steel (UF11143)
- Oil rubbed bronze (UF11145)

WARRANTY

- Limited lifetime warranty on workmanship and materials to the original purchaser

COMPLIES WITH

- NSF 61-9
- ASME A112.18.1
- CSA B125.1
- cUPC
- AB1953
- CALGreen



tel. 888-OK-ULTRA (658-5872) • fax. 949-225-6099 • <http://www.ultrafaucets.com>

This specification is provided for reference only. Ultra Faucets reserves the right to modify specifications and materials without notice or obligation.