



# LAVATORY FAUCET

## STANDARD SPECIFICATIONS

- Metal Lever Handle
- With Pull-Out
- Single-Hole or Three-Hole Installation Options
- Drip-Free Ceramic Cartridge
- 1.8gpm Max at 60psi
- Solid Brass Waterway

## FINISHES INCLUDE

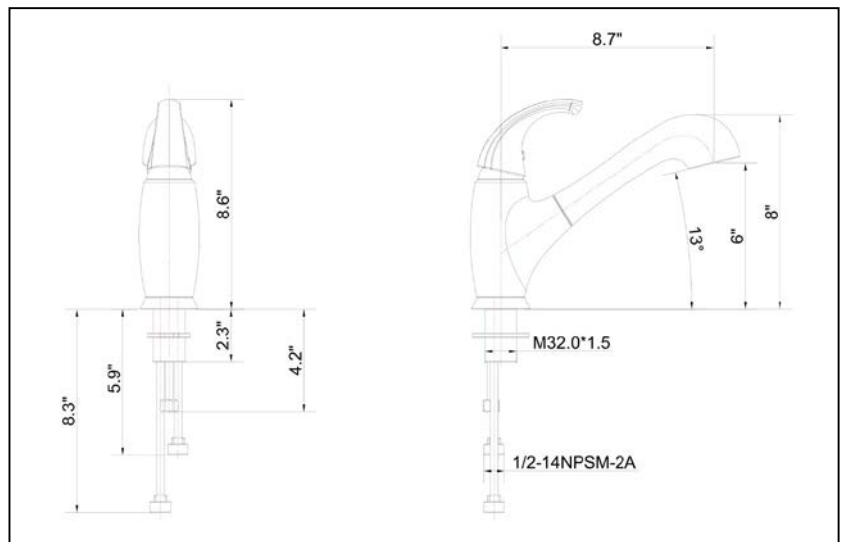
- Chrome (UF12800)
- Brushed nickel (UF12803)
- Oil Rubbed Bronze (UF12805)

## WARRANTY

- Limited lifetime warranty on workmanship and materials to the original purchaser

## COMPLIES WITH

- NSF 61-9
- ASME A112.18.1
- CSA B125.1
- IAPMO/UPC/cUPC



tel. 888-OK-ULTRA (658-5872) • fax. 949-225-6099 • <http://www.ultrafaucets.com>

*This specification is provided for reference only. Ultra Faucets reserves the right to modify specifications and materials without notice or obligation.*