

\*Images are for reference only and may not match your parts exactly.

### Limited Lifetime Warranty

Ultra Faucets warrants to the original purchaser that its products will be free from defects in workmanship and materials. All Ultra Faucets are provided with a life time limited warranty. This warranty does not cover any other labor or service charges associated with the removal, repair, or reinstallation of Ultra Faucets products. This express warranty does not apply to products that have been damaged as a result of misuse, abuse, negligence, accident, faulty installation or maintenance practices and/or used in any manner contrary to those recommended by the manufacturer.

**Need help?** Please call our toll-free customer service line at 1-888-658-5872 for additional assistance or service.

**Besoin d'aide?** Veuillez communiquer avec notre service à la clientèle au numéro gratuit 1-888-658-5872 pour tous renseignements ou services complémentaires.

**¿Requiere asistencia?** Llame a nuestro Servicio al Cliente, sin costo, al 1-888-658-5872 para asistencia adicional o servicio.

## Installation / Installation / Instalación

Pressure balance valve and shower trim installation

Use with UF 785 and UF 795 Series  
For all others, use alternate instructions included in this set.



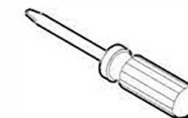
### Tools You Will Need / Outils dont vous aurez besoin / Herramientas necesarias



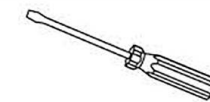
Adjustable Wrench  
Clé à molette  
Llave ajustable



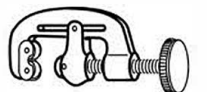
Pipe Tape  
Ruban pour tuyau  
Cinta selladora para rosca



Screwdriver  
Tournevis  
Destornillador



Phillips Screwdriver  
Tournevis Phillips  
Destornillador cruciforme



Tube Cutter  
Machine Coupez le tuyau  
Bañera de corte

### SAFETY TIPS

- If you use soldering for the installation of the faucet, the seats, cartridges and washers will have to be removed before using flame. Otherwise, warranty will be void on those parts.
- Cover your drain to avoid losing parts.
- 0°C ~55°C.

### CONSIGNES DE SÉCURITÉ

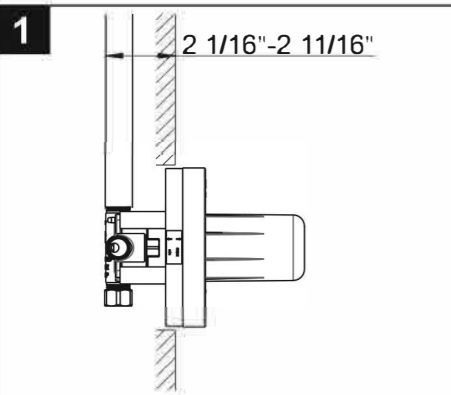
- Si vous posez le robinet par brasage, il est essentiel de retirer les sièges, les cartouches et les rondelles avant d'appliquer la flamme, faute de quoi la garantie sur ces pièces sera annulée.
- Couvrez le drain pour ne pas perdre des pièces.
- 0°C ~55°C.

### CONSEJOS DE SEGURIDAD

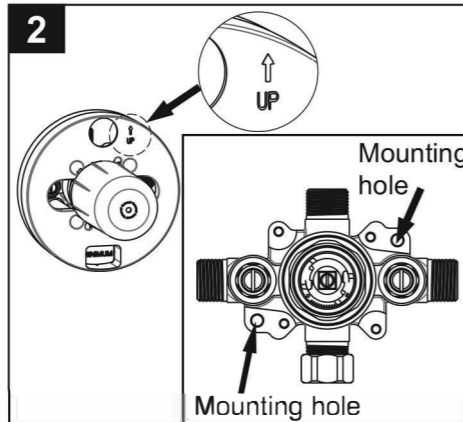
- En el caso de utilizar soldadura para instalar el grifo, remueva los asientos, cartuchos y arandelas antes de usar la llama. De lo contrario, se anulará la garantía para esos componentes.
- Tape la boca del desagüe para prevenir la pérdida de piezas pequeñas.
- 0°C ~55°C.

# ULTRA FAUCETS

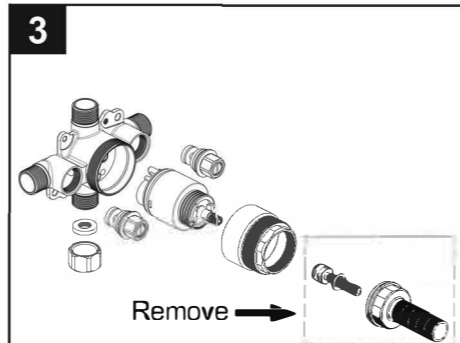
## Installation / Installation / Instalación



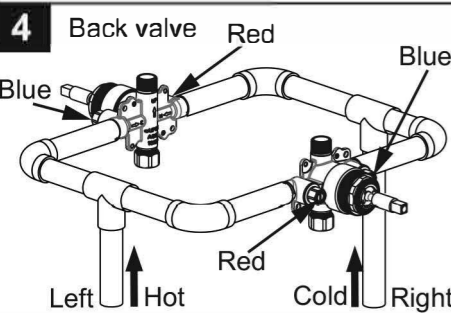
Turn off the water supplies. Install the valve so the finished wall will fit between the markers on the mud guard.



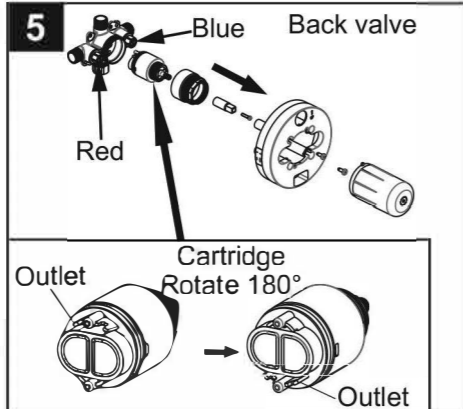
Using mounting holes secure the valve making sure the "UP" label outlet is on top.



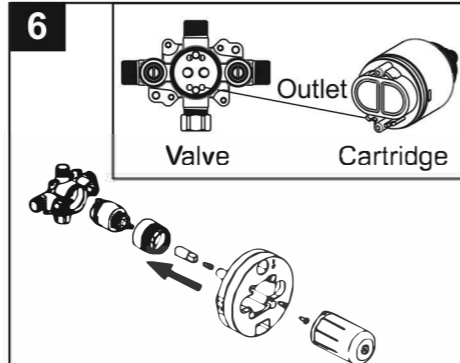
Remove the stem and threaded nipple before installation. It will not be used with UF 785 or UF 795 series.



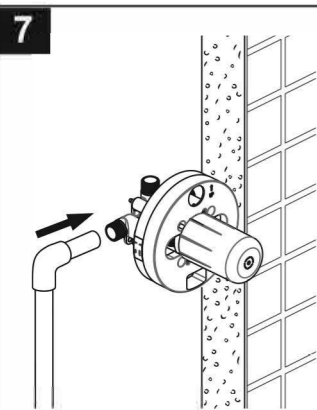
If you are making a back-to-back installation (hot on right and cold on the left), install the back valve body as described in steps #5 – #6. If not, go to step #7. NOTE: Notice that the back valve has hot and cold indicators that will be opposite of the incoming supply lines.



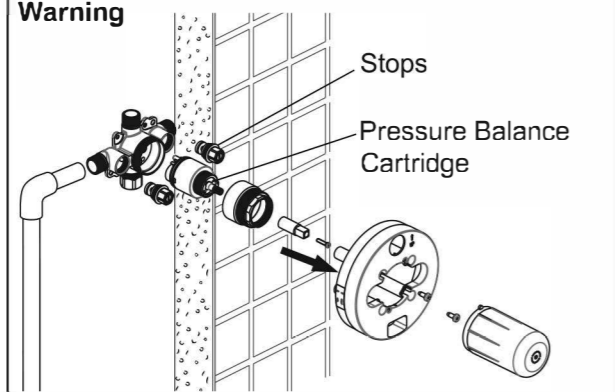
Remove the cartridge and stem assembly. Notice that the outlet is at the top. Rotate the cartridge 180°. The outlet should be on the bottom.



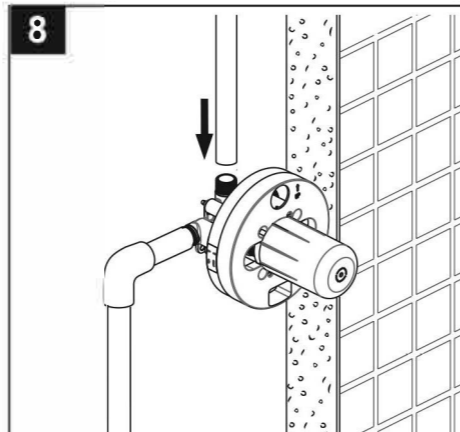
Align the outlet on the bottom of the cartridge and push the cartridge into the valve. Make sure the cartridge is firmly installed into the valve body. Reinstall stem assembly with mud guard.



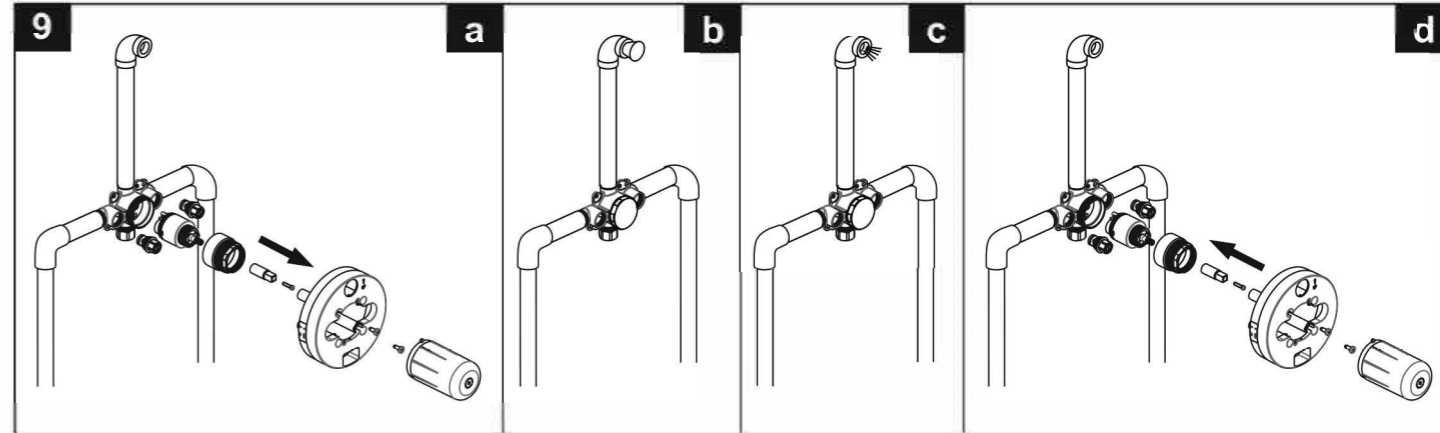
### Warning



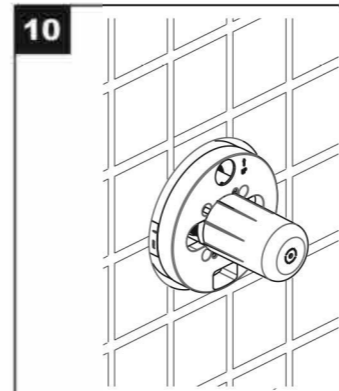
Connect valve body to water supplies using the proper fittings. Warning: avoid soldering at high temperature. Exposure to high temperature may damage the cartridge. Be sure stops and pressure balance cartridge are removed before soldering.



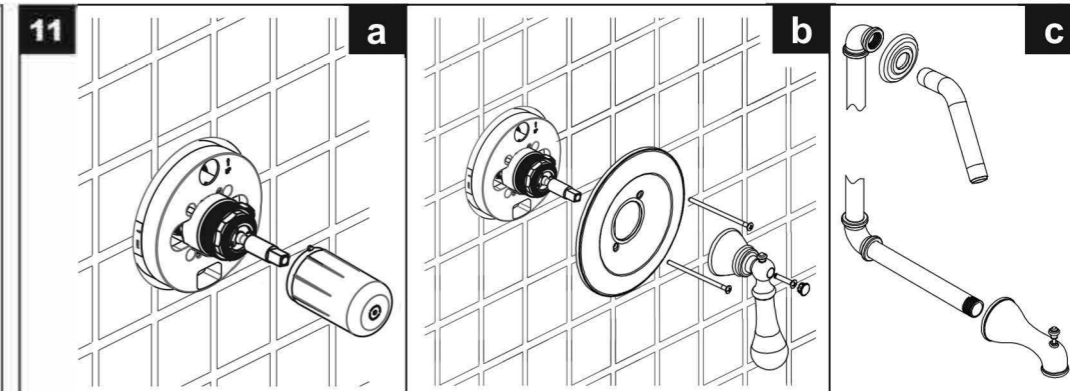
Connect the valve body to the shower outlet with the proper fitting. Note: it is suggested that you anchor all water lines.



1. Pressure test and flush the valve.  
 a. Prior to testing, remove mud guard, stem assembly, cartridge as stops as shown.  
 b. Plug the shower outlet and check for leaks.  
 c. After testing, flush system.  
 d. Remove shower outlet plug. Re-install the stops, cartridge, stem assembly and mud guard.  
 2. Check for leaks.



Valve installation completed.



10. To install shower trim:  
 a. Remove cap, b. Install escutcheon, c. Install shower arm and tub spout

## Trouble-Shooting / Dépannage / Guía de solucionar problemas

If you've followed the instructions carefully and your faucet still does not work properly, take these corrective steps.

Si vous avez suivi attentivement les instructions et que votre robinet ne fonctionne toujours pas correctement, apporter les correctifs suivants.

Si usted ha seguido las instrucciones cuidadosamente y su grifo todavía no funciona correctamente, siga estos pasos correctivos.

Problem / Problème / Problema	Cause / Cause / Causa	Action / Correctif / Solución
Leaks underneath handle. Fuites sous la manette. Goteo debajo de la manija.	Retainer nut has come loose. O-ring is dirty or damaged. L'écrou de fixation s'est desserré. Le joint torique est sale ou endommagé. La tuerca de ajuste se ha aflojado. La arandela circular está sucia o dañada.	Tighten the retainer nut. Clean or replace O-ring. Serrer l'écrou de fixation. Nettoyer ou remplacer le joint torique. Apriete la tuerca de ajuste. Limpie o reemplace la arandela circular.
Aerator leaks or has an inconsistent water flow pattern. Le brise-jet fuit ou la diffusion des jets qui s'en écoulent n'est pas uniforme.	Aerator is dirty or misfitted. Le brise-jet est mal ajusté ou sale.	Unscrew aerator, remove any debris, check seating of rubber seal then re-assemble aerator. Dévisser le brise-jet, le nettoyer, vérifier l'assise de la garniture en caoutchouc et remonter le brise-jet.
El aireador gotea o el chorro de agua está irregular.	El aireador está sucio o mal puesto.	Destornille el aireador, límpielo, revise el asiento del empaque de goma, y vuelva a ensamblar el aireador.