



FLOOR MOUNT TUB FILLER

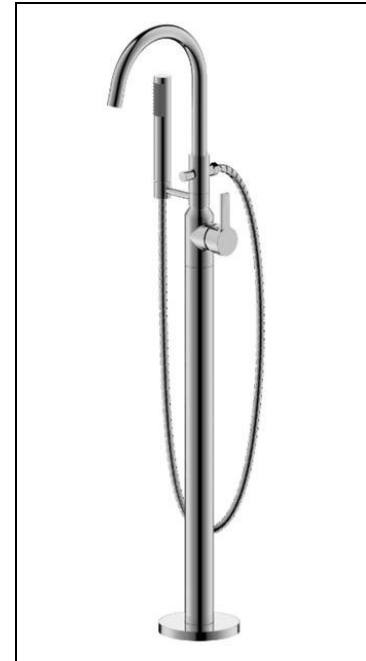
- Euro Collection
- 1-Hole Installation
- Rough-in Kit Included

STANDARD SPECIFICATIONS

- Brass body
- Zinc handle
- 40mm ceramic cartridge
- Neoperl aerator
- Single function brass hand shower
- 59" stainless steel hose
- Flow rate:
 - Tub Spout: 7gpm @ 80psi
 - Hand shower: 1.8gpm @ 80psi

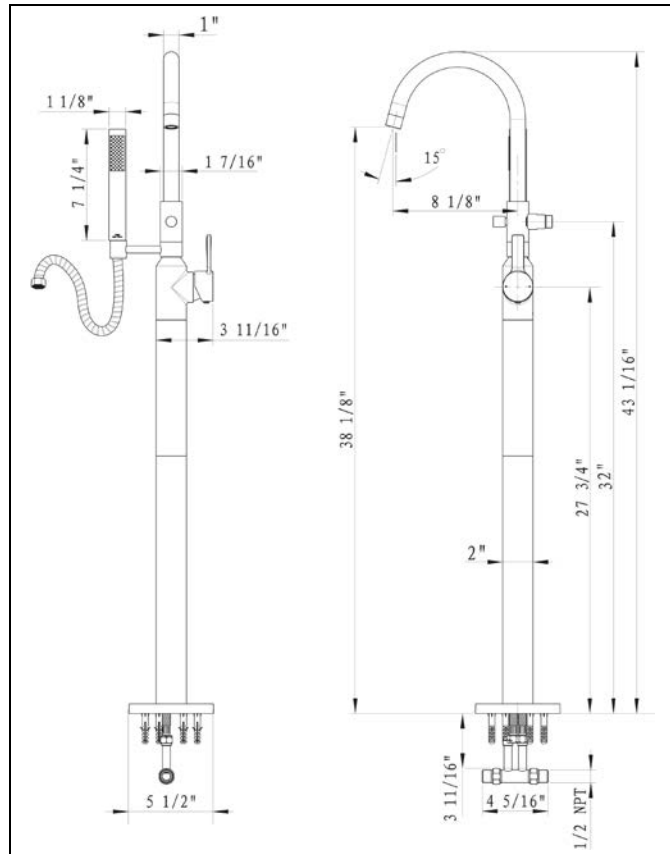
FINISHES INCLUDE

- Polished Chrome (UF66200)
- Brushed Nickel (UF66203)
- Oil Rubbed Bronze (UF66205)
- Matte Black (UF66207)



WARRANTY

- Limited lifetime warranty on workmanship and materials to the original purchaser



tel. 888-OK-ULTRA (658-5872) • fax. 949-252-9989 • <http://www.ultrafaucets.com>

This specification is provided for reference only. Ultra Faucets reserves the right to modify specifications and materials without notice or obligation.