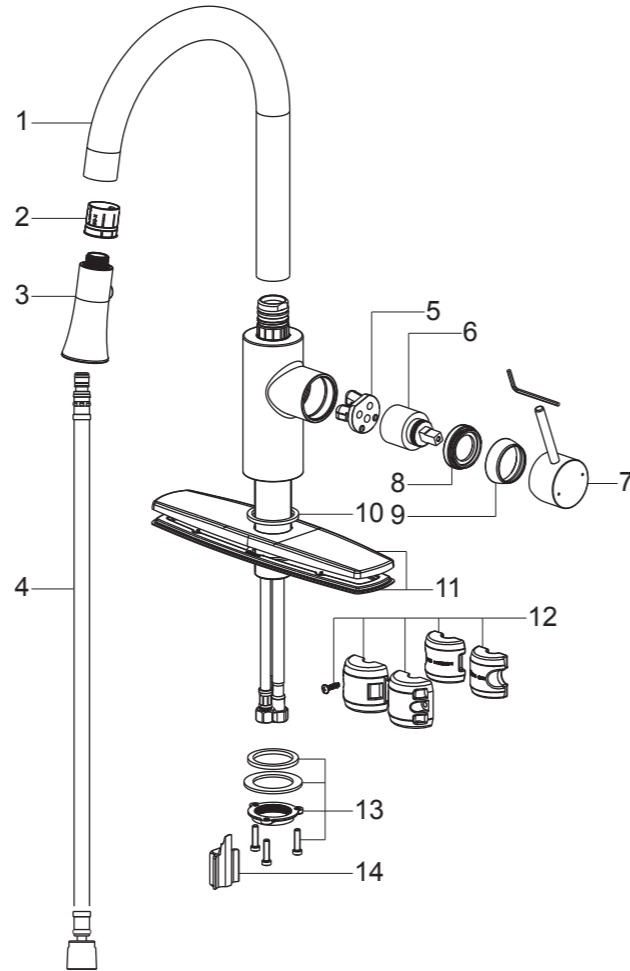


Replacement Parts / Pièces de rechange / Repuestos

UF14200
UF14203
UF14205
UF14207

NO.	Description	Part No.
1	Spout	5B0032300CP/AP/HA/HBW0
2	Hose Guide	5L0024100PLO
3	Spray Head	5F0014300CP/AP/HA/HBW0
4	Hose	5G0009000CP0
5	Base of the Cartridge	5N0016001NT7
6	Cartridge	5D0005300PLO
7	Handle Assembly	5Y0190600CP/AP/HA/HBW0
8	Bonnet	5T1A0003AL
9	Cap	5L0P0506CP/AP/HA/HBW0
10	Washer	5I014142PL
11	Deck Plate	5Y0263600CP/AP/HA/HBW0
12	Hose Weight	5Y0191000NT0
13	Mounting Hardware	5Y0263700NT0
14	Protection Cover	5L0071701PLO



Limited Lifetime Warranty

Ultra Faucets warrants to the original purchaser that its products will be free from defects in workmanship and materials. All Ultra Faucets are provided with a life time limited warranty. This warranty does not cover any other labor or service charges associated with the removal, repair, or reinstallation of Ultra Faucets products. This express warranty does not apply to products that have been damaged as a result of misuse, abuse, negligence, accident, faulty installation or maintenance practices and/or used in any manner contrary to those recommended by the manufacturer.

Need help? Please call our toll-free customer service line at 1-888-658-5872 for additional assistance or service.

Besoin d'aide? Veuillez communiquer avec notre service à la clientèle au numéro gratuit 1-888-658-5872 pour tous renseignements ou services complémentaires.

¿Requiere asistencia? Llame a nuestro Servicio al Cliente, sin costo, al 1-888-658-5872 para asistencia adicional o servicio.

Euro Collection

Pull-Down Kitchen Faucet



Installation/Installation/Instalación

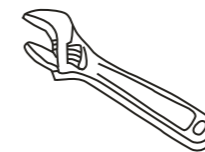
CUSTOMER SERVICE

TOLL-FREE 1-888-OK-ULTRA (658-5872)

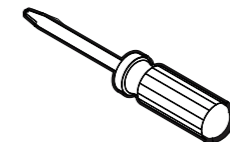
UF14200 - Polished Chrome
UF14203 - PVD Brushed Nickel
UF14205 - Oil Rubbed Bronze
UF14207 - Matte Black



Tools You Will Need / Outils dont vous aurez besoin / Herramientas necesarias



Adjustable Wrench
Clé à molette
Llave ajustable



Phillips Screwdriver
Tournevis Phillips
Destornillador cruciforme

SAFETY TIPS

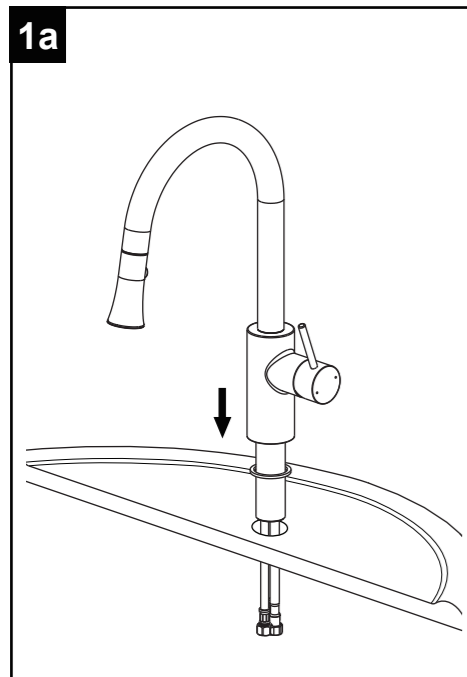
- If you use soldering for the installation of the faucet, the seats, cartridges and washers will have to be removed before using flame. Otherwise, warranty will be void on those parts.
- Cover your drain to avoid losing parts.
- 0°C~55°C.

CONSIGNES DE SÉCURITÉ

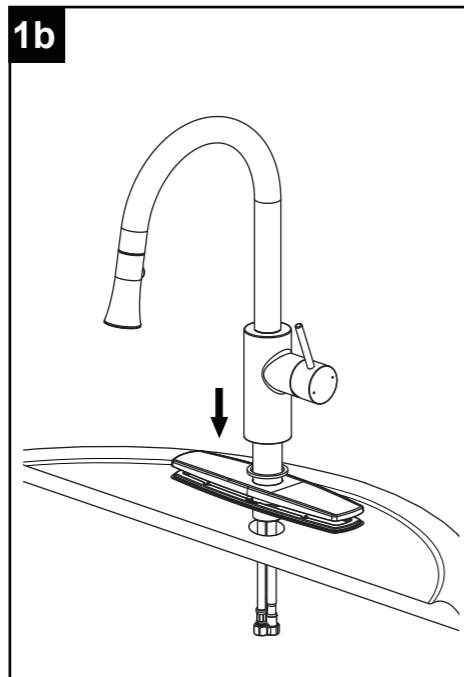
- Si vous posez le robinet par brasage, il est essentiel de retirer les sièges, les cartouches et les rondelles avant d'appliquer la flamme, faute de quoi la garantie sur ces pièces sera annulée.
- Couvrez le drain pour ne pas perdre des pièces.
- 0°C~55°C.

CONSEJOS DE SEGURIDAD

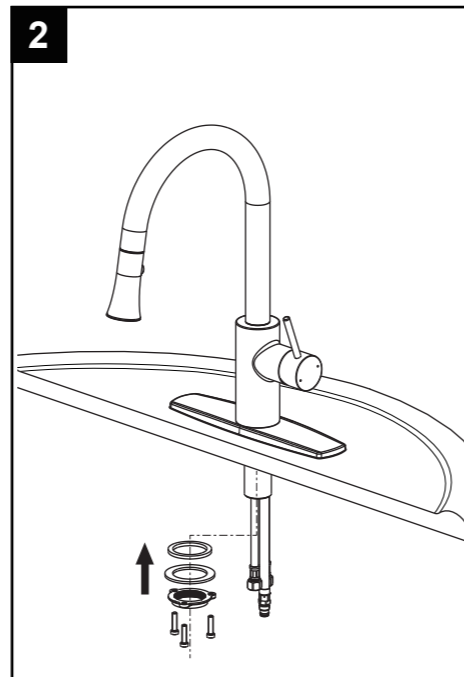
- En el caso de utilizar soldadura para instalar el grifo, remueva los asientos, cartuchos y arandelas antes de usar la llama. De lo contrario, se anulará la garantía para esos componentes.
- Tape la boca del desagüe para prevenir la pérdida de piezas pequeñas.
- 0°C~55°C.



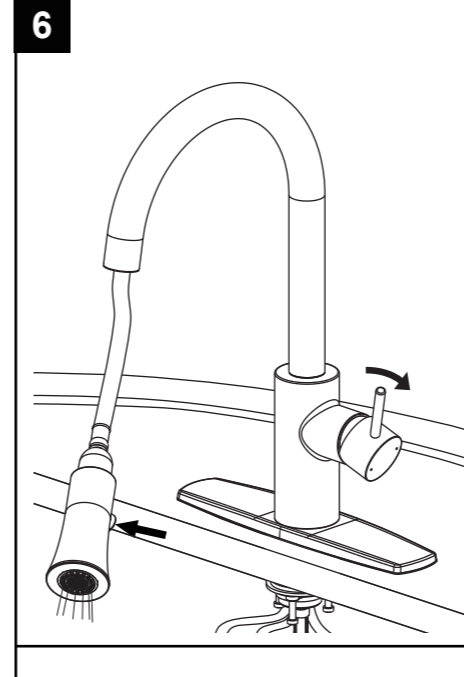
1a
 Install washer to the bottom of the spout. If installing the faucet with escutcheon, begin with 1b.



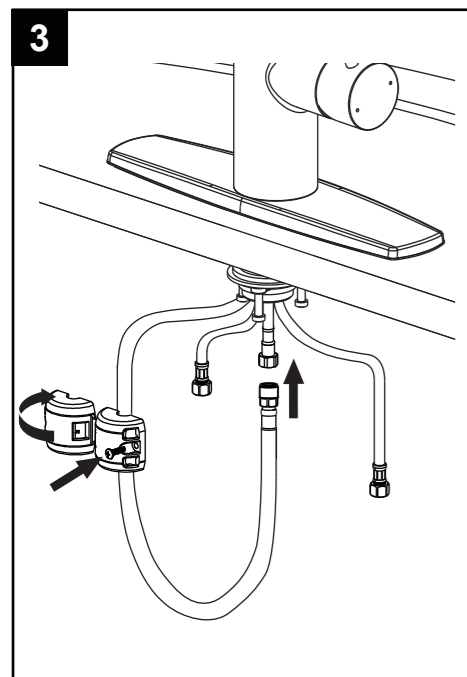
1b
 Place escutcheon assembly onto the faucet.



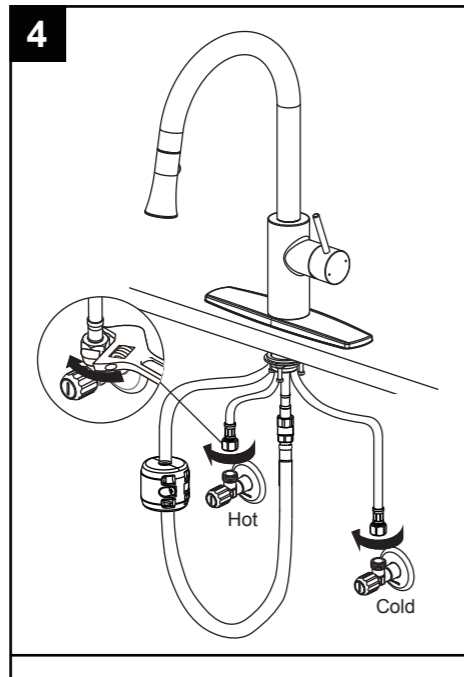
2
 Install the rubber washer, metal washer, and mounting nut onto the shank and tighten the mounting nut.



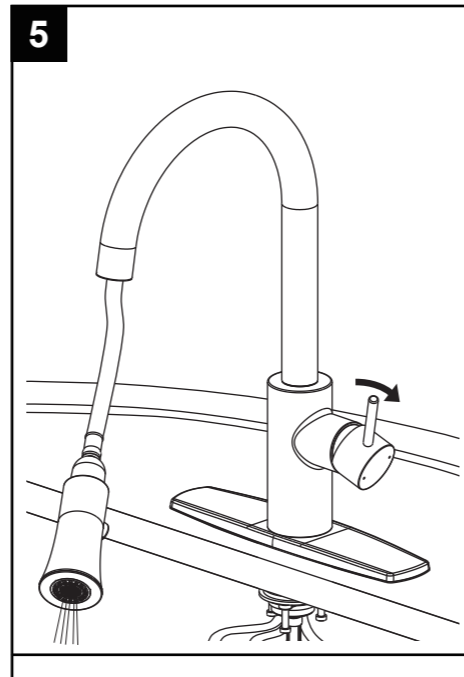
6
 Press the spray head button into the other position as shown by the arrow to check for the operation. This position is for the spray function.



3
 Fasten the hose weight to the spray hose with screws, and connect the spray hose to the water inlet hose.



4
 Connect the hot and cold inlet hoses to the supply valves and tighten with a wrench.



5
 Turn on the handle to check the operation. This position is for stream function.