

ULTRA FAUCETS

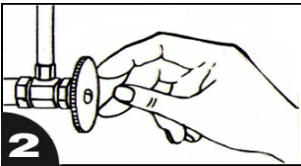
INSTALLATION

MODEL NUMBER: UF08X63X



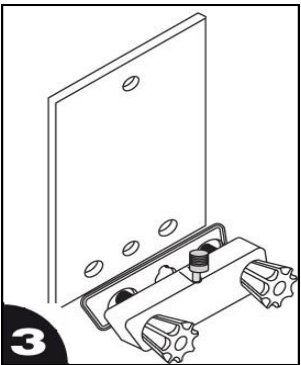
1 BEFORE PROCEEDING

WARNING: Read all the instructions before proceeding. We recommend calling a professional if you are uncertain about installing this product! This product should be installed in accordance with all local and state plumbing and building code requirements.



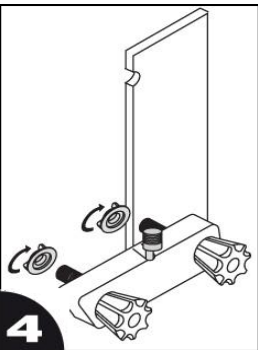
2 SHUT OFF WATER SUPPLY

Locate the water supply inlets and shut off both the hot and cold water supply valves. If you are replacing an existing faucet, remove the old faucet. Clean the surface thoroughly in preparation for the new faucet.



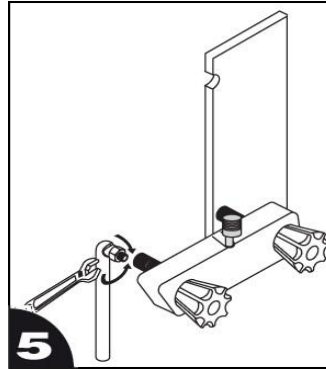
3 POSITION FAUCET

Place flat side of putty plate against wall; insert shower faucet shanks through putty plate and pre-drilled holes in wall. Position shower faucet on wall.



4 SECURE FAUCET

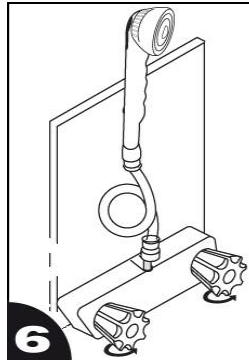
Tighten lock nuts from behind wall as shown.



5 CONNECT SUPPLY LINES

Connect water supply lines to inlet shanks. As you face the shower faucet, hot water should be on your left and cold water on your right.

NOTE: Hand tighten the nuts and then tighten 1/4 turn with wrench. DO NOT OVERTIGHTENING as it may cause leaking.



6 FLUSH PIPELINE

Turn on water supplies. Turn both hot and cold water at fully on position for 1 minute to remove debris from the pipeline. Your faucet is now ready to be connected to hand shower (not included). Please refer to the hand shower installation instruction when installing the hand shower.