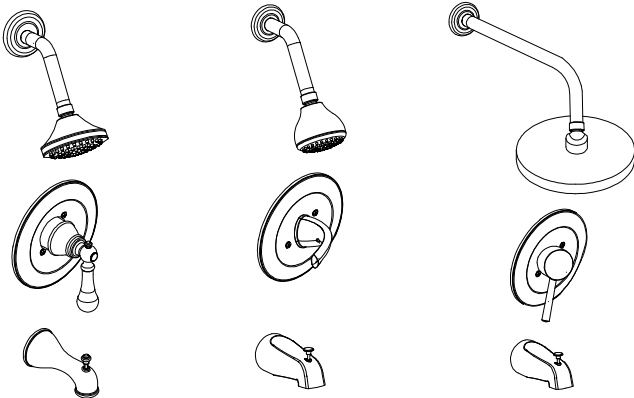


ULTRA FAUCETS

INSTRUCTION



Single Handle Tub & Shower Faucet
Model no: UF7850X&UF7860X

Tools:

Require:

- Adjustable wrench
- Groove joint plier
- Pipe wrench
- Pipe tape
- Phillips screwdriver



Maintenance

Your new bathroom faucet is designed for years of trouble-free performance. Keep it looking new by cleaning it periodically with a soft cloth. Avoid abrasive cleaners, steel wool and harsh chemicals as these will dull the finish and void your warranty.

Preparation / Assembly

- Recommended component locations: (see Fig. 1)
Recommended depth for valve body in wall is 2-3/16" (1-7/8" MIN--2-1/2" MAX).
1A. Shower and / or spout outlet hole: 1-1/4" diameter.
1B. Valve access hole: 6" diameter.
CAUTION: Allow at least 2" between tub outlet and tub rim.

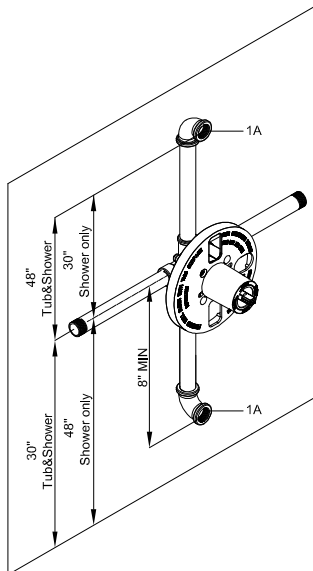


Fig. 1

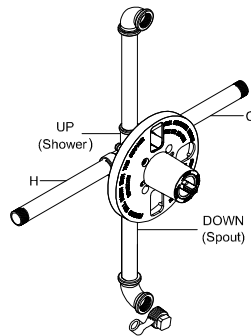


Fig. 2

Assembly

- Position valve body correctly in wall (see Fig. 2). UP marking is on up side and DOWN marking on down side.
 - Connect water supplies to left (hot) and right (cold) valve body inlets. Thread sealant may be required depending on your installation method. All thread sealants may be found at your local hardware store.
 - Turn on hot and cold water supply lines.
Note: Pressure must be approximately equal on both hot and cold sides for valves to function properly.
 - Rotate stem to allow water to flow from tub spout until there is no foreign matter in discharge.

H - hot water supply
C - cold water supply
Up - shower outlet
Down - tub outlet

Pressure testing

- Install a 1/2" iron pipe plug (not included) on both shower and tub outlets.
Turn stem to full "ON" and check all connections for leaks.
- Turn stem to "OFF".

- Caution: Slowly remove pipe plugs from shower and tub outlets.
 - Remove the Tub&Shower cap before installing escutcheon (see Fig. 3).
 - Install the handle assembly (see Fig. 4).

- Install tub spout and shower assembly (see Fig. 5).

For BACK TO BACK or REVERSE installations only (HOT on RIGHT and COLD on LEFT), follow instructions below. (see Fig. 6)

WARNING: FAILURE TO FOLLOW THESE INSTRUCTIONS COULD PREVENT THE VALVE FROM FUNCTIONING PROPERLY.

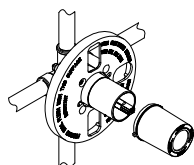


Fig. 3

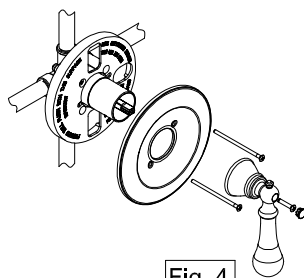


Fig. 4

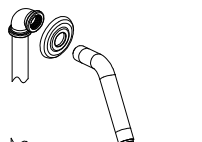


Fig. 5

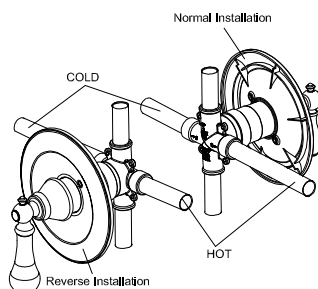


Fig. 6

Remove and Install the Cartridge:

A. Make sure water supplies are off.

B. Remove cartridge assembly from body.

(NOTE: To remove valve cartridge from body, shut off water supply and remove handle and bonnet nut. Do not pry the valve cartridge out of the body with a screwdriver. Place handle on stem and rotate counterclockwise approximately 1/4 turn after the stop has been contacted. Lift valve cartridge out of body.)

C. Reinstall cartridge assembly into the body making sure the projection of the cartridge assembly on the UP side. Secure cartridge with bonnet nut.

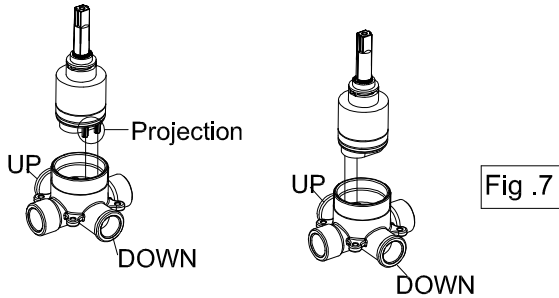


Fig .7

Adjusting the Rotational Limit Stop:

A. See Fig.9. This is the coldest position. If the Rotational Limit Stop in this position, the mixing water temperature is 38 °C (approximate).

B. See Fig.10. This is the recommended position. It is also the setting position by the manufacturer. When the Rotational Limit Stop on this position, the mixing water temperature is 38 °C (approximate).

C. See Fig. 11. This is the hottest position. If the Rotational Limit Stop on this position, the mixing water temperature is 38 °C (approximate).

If you want the mixing water colder or hotter, please adjust the Rotational Limit Stop counterclockwise or clockwise. Replace one tooth for 1 °C (approximate) in temperature.

NOTE: When you adjust the Rotational Limit Stop, locate the valve cartridge at the full close position (rotate the handle to stop position through clockwise direction), then assemble the Rotational Limit Stop on cartridge.

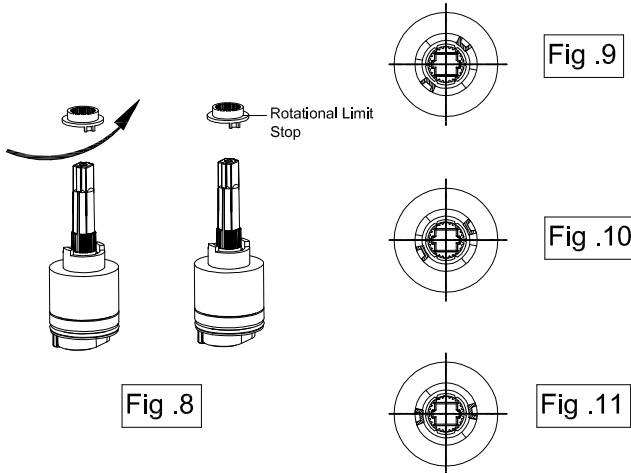


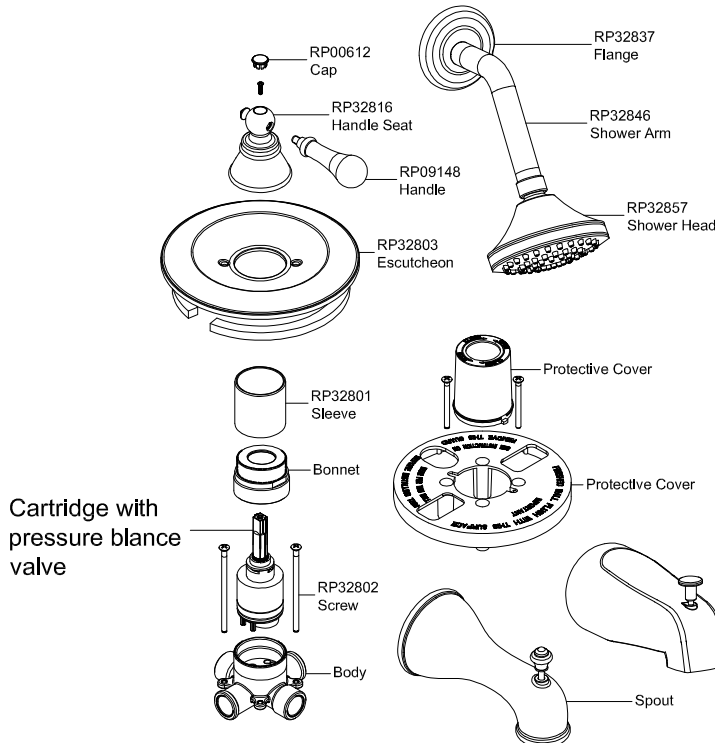
Fig .8

Fig .9

Fig .10

Fig .11

Exploded Drawing RP(Replacement Parts)



Limited Lifetime Warranty

Ultra Faucets warrants to the original purchaser that its products will be free from defects in workmanship and materials. All Ultra Faucets are provided with a life time limited warranty. This warranty does not cover any other labor or service charges associated with the removal, repair, or reinstallation of Ultra Faucets products. This express warranty does not apply to products that have been damaged as a result of misuse, abuse, negligence, accident, faulty installation or maintenance practices and/or used in any manner contrary to those recommended by the manufacturer.