



LAVATORY FAUCET

- **Vantage Collection**
- **Two-Handle Deck Mount**
- **Metal lever handle**
- **3-Hole Installation**
- **4" Centerset**

STANDARD SPECIFICATIONS

- Ceramic disc cartridge
- Metal pop-up assembly
- Hybrid waterway
- Brass shank inlet with 1/2" male NPSM connection
- 1.5gpm max @ 60psi

FINISHES INCLUDE

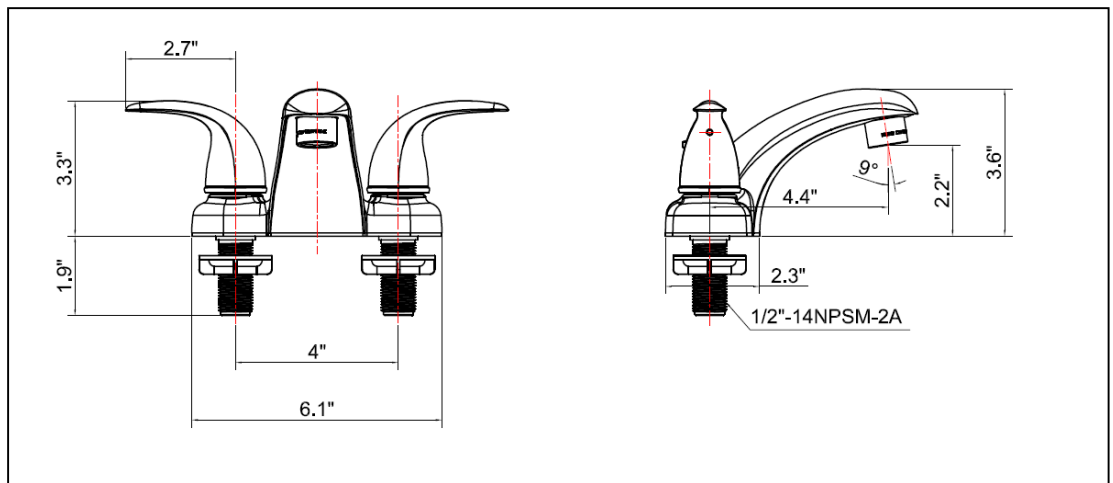
- Chrome (UF44520)
- Brushed nickel (UF44523)
- Oil rubbed bronze (UF44525)

WARRANTY

- Limited lifetime warranty on workmanship and materials to the original purchaser

COMPLIES WITH

- NSF 61-9
- ASME A112.18.1
- CSA B125.1
- AB1953
- cUPC/UPC



tel. 888-OK-ULTRA (658-5872) • fax. 949-225-6099 • <http://www.ultrafaucets.com>

This specification is provided for reference only. Ultra Faucets reserves the right to modify specifications and materials without notice or obligation.