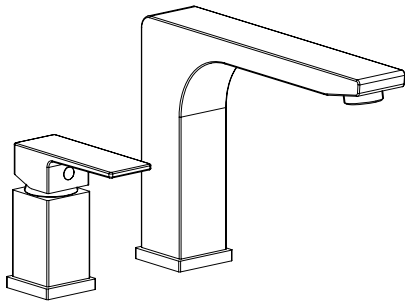


# ULTRA FAUCETS

## INSTRUCTION



### Single Handle Roman Tub Faucet without Diverter

Model NO: UF65500  
UF65503

#### Preparation / Assembly

#### Tools:

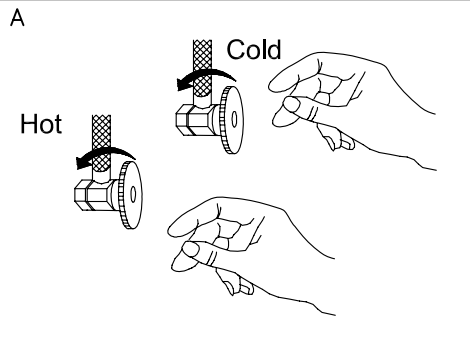
- Adjustable Wrench
- Pliers
- Pipe Wrench
- Screwdriver
- Teflon Tape



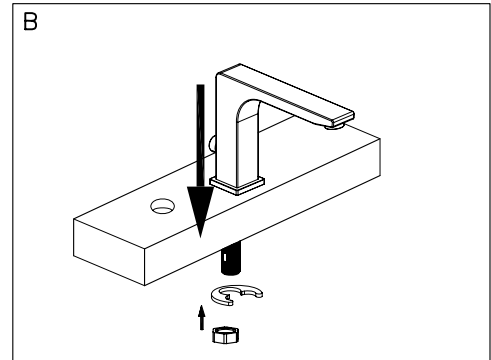
#### Maintenance:

Your new Roman Tub faucet is designed for years of trouble-free performance.

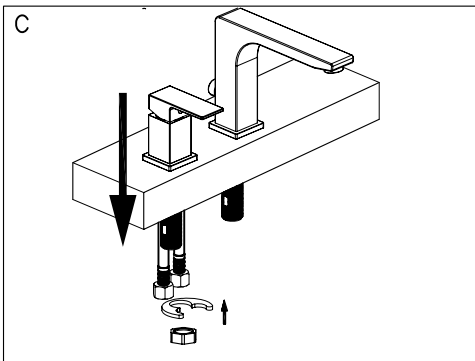
Keep it looking new by cleaning it periodically with a soft cloth. Avoid abrasive cleaners, steel wool and harsh chemicals as these will dull the finish and void your warranty.



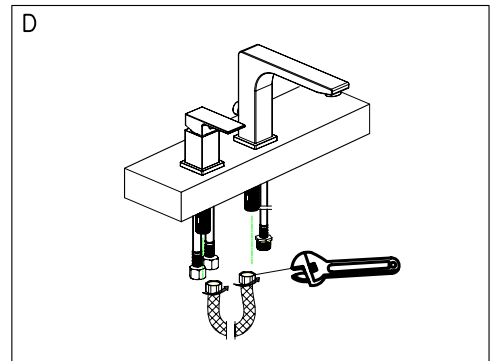
A. Shut off water supply at the valves. Remove old faucet and clean the mounting surface for installation of new faucet.



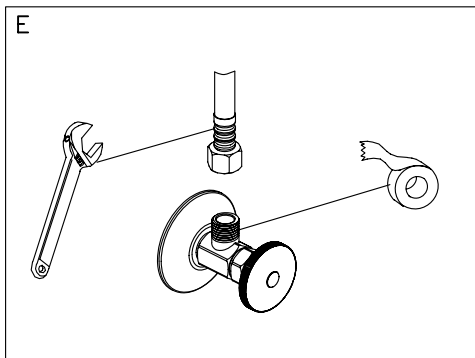
B. Place the spout into center hole of the sink. From under sink, secure firmly to sink with metal washer and nut.



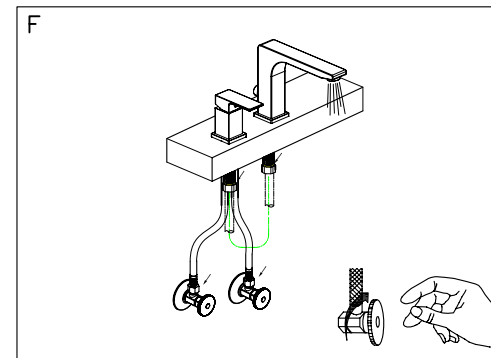
C. Place the body into left hole of the sink. From under sink, secure firmly to sink with metal washer and nut.



D. Install the connection hose onto spout mounting tube and body mounting tube, tighten firmly use adjustable wrench. Carefully bend the hoses to fit available space.



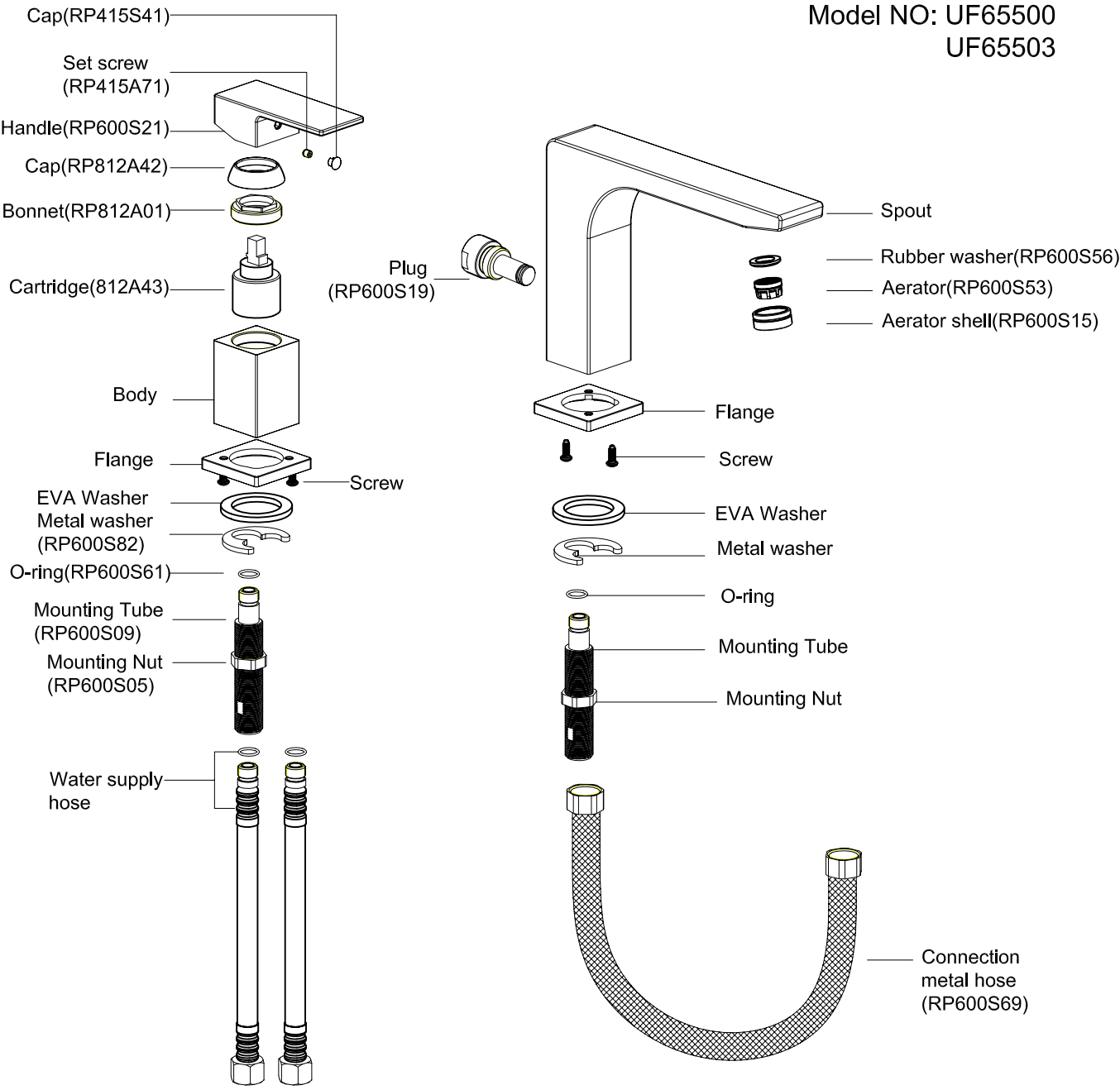
E. Apply Teflon (TPFE) tape on the shut off valves. Thread the tape in counter-clockwise direction.



F. Turn on the water supply to check for leaks at all connections.

Exploded Drawing  
RP(Replacement Parts)

Model NO: UF65500  
UF65503



**Limited Lifetime Warranty**

Ultra Faucets warrants to the original purchaser that its products will be free from defects in workmanship and materials. All Ultra Faucets are provided with a life time limited warranty. This warranty does not cover any other labor or service charges associated with the removal, repair, or reinstallation of Ultra Faucets products. This express warranty does not apply to products that have been damaged as a result of misuse, abuse, negligence, accident, faulty installation or maintenance practices and/or used in any manner contrary to those recommended by the manufacturer.