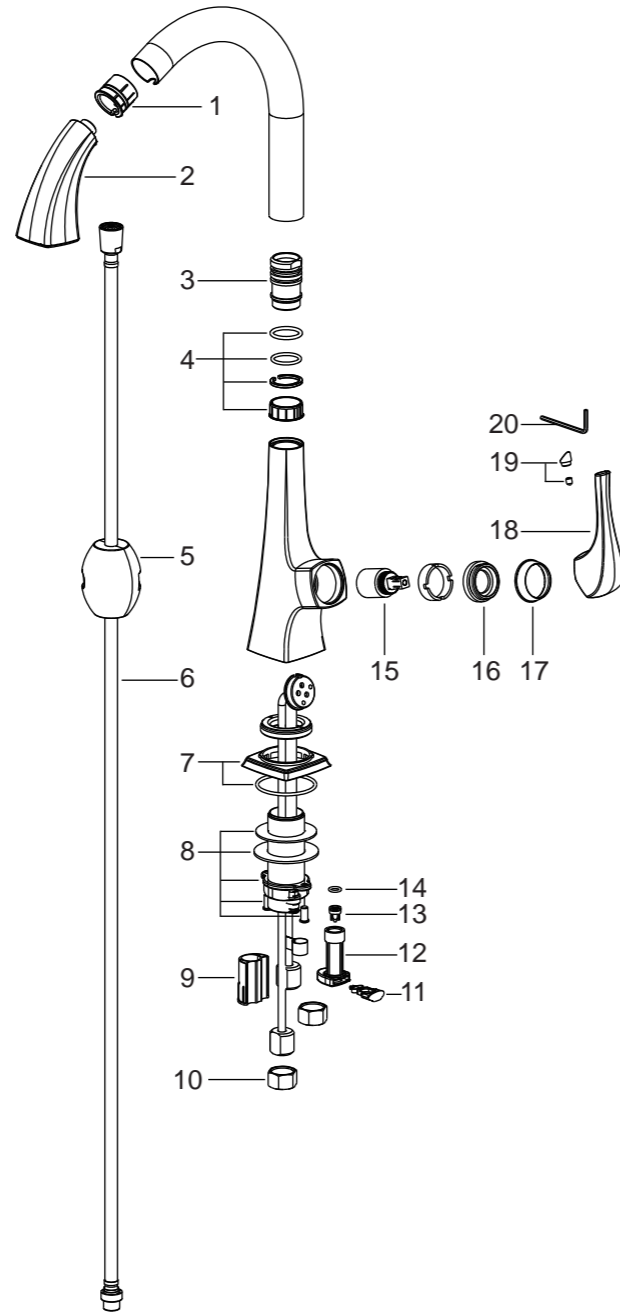




No.	Description	Part No.
1	Hose Guide	5L0082000PL0
2	Sprayer	5F0006701CP/AP/HA0
3	Connector Assembly	5J0023000NT0
4	O-Ring Set	5Y0110500PL0
5	Weight	5X0M0063PL
6	Spray Hose	5G0M0142CP/AP/HA7
7	Base Assembly	5Y0110600PL0
8	Mounting Hardware Assembly	9Q0979CP/AP/HA
9	Hose Guide	53013138PL
10	Nuts	6B005801NT
11	Retainer Clip	5M0P0132PL
12	Quick Connector	5L0P0440PL
13	Check Valve	5D0M0003PL
14	O-Ring	52006913PL
15	Ceramic Disc Cartridge	52007014PL
16	Retainer Nut	5N0C0697NT
17	Trim Cap	5L0C0283CP/AP/HA
18	Handle	5C0073300CP/AP/HA0
19	Screw & Button	5Y0187900PL0
20	Allen Key 2.5mm	51002812NT



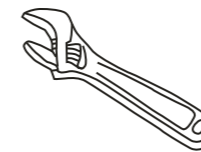
## Installation/Installation/ Instalación

**CUSTOMER SERVICE**  
**TOLL-FREE 1-888-OK-ULTRA(888-658-5872)**

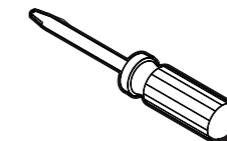
**UF14000**  
**UF14003**  
**UF14005**



### Tools You Will Need / Outils dont vous aurez besoin / Herramientas necesarias



Adjustable Wrench  
Clé à molette  
Llave ajustable



Phillips Screwdriver  
Tournevis Phillips  
Destornillador cruciforme



Pipe Tape  
Ruban pour tuyau  
Cinta selladora para tubería

### SAFETY TIPS

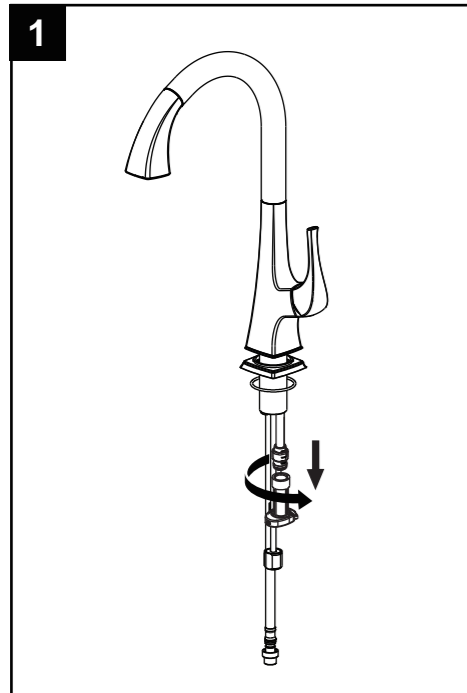
- If you use soldering for the installation of the faucet, the seats, cartridges and washers will have to be removed before using flame. Otherwise, warranty will be void on those parts.
- Cover your drain to avoid losing parts.
- 0°C ~55°C.

### CONSIGNES DE SÉCURITÉ

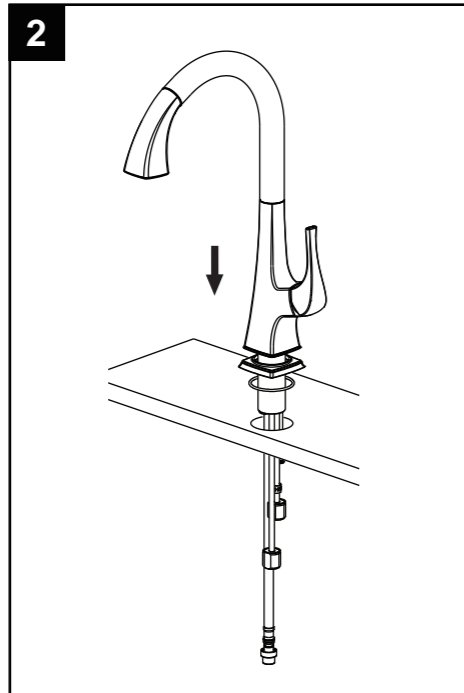
- Si vous posez le robinet par brasage, il est essentiel de retirer les sièges, les cartouches et les rondelles avant d'appliquer la flamme, faute de quoi la garantie sur ces pièces sera annulée.
- Couvrez le drain pour ne pas perdre des pièces.
- 0°C ~55°C.

### CONSEJOS DE SEGURIDAD

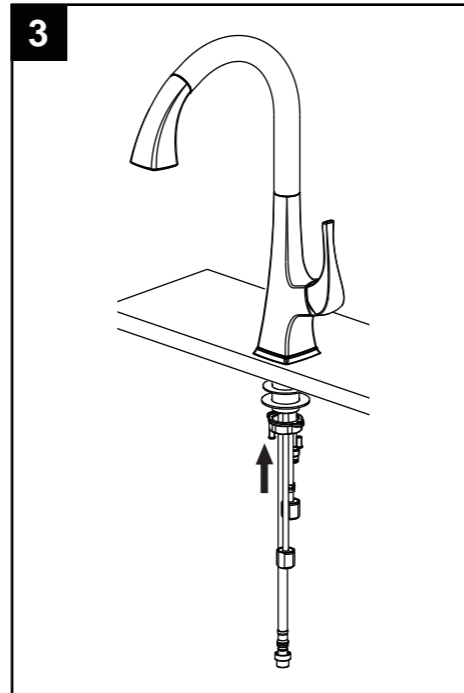
- En el caso de utilizar soldadura para instalar el grifo, remueva los asientos, cartuchos y arandelas antes de usar la llama. De lo contrario, se anulará la garantía para esos componentes.
- Tape la boca del desagüe para prevenir la pérdida de piezas pequeñas.
- 0°C ~55°C.



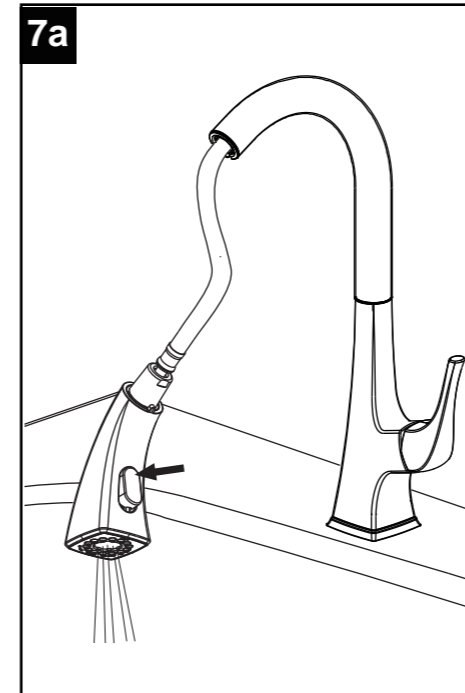
Remove the quick connector.



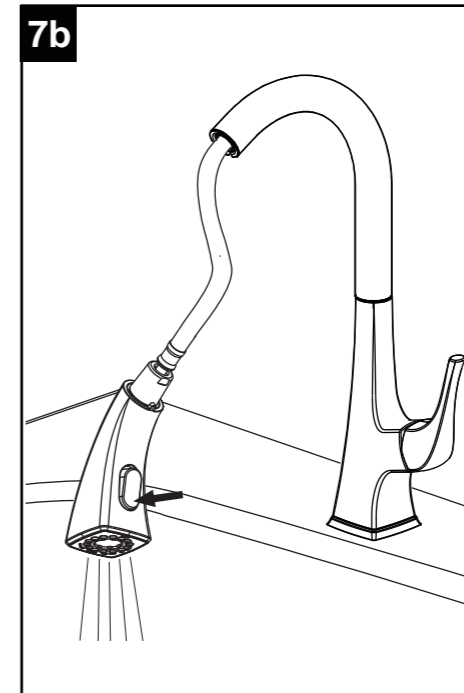
Install the faucet through the mounting hole.



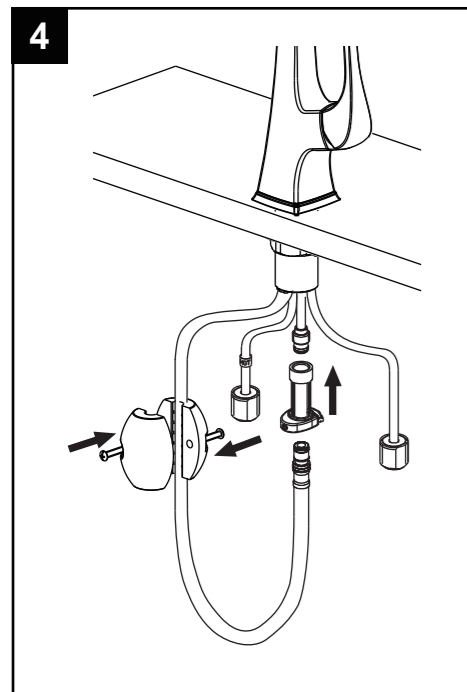
Install washer, gasket and mounting nuts onto the shank to cover the mounting hole.  
Tighten the mounting nut.



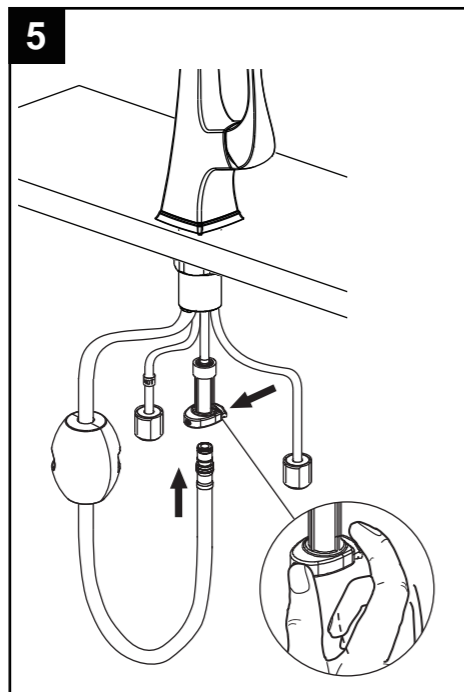
Turn on the handle and press the spray head button at the position as the arrow shown, check for the spray function.  
This position is for bubble water.



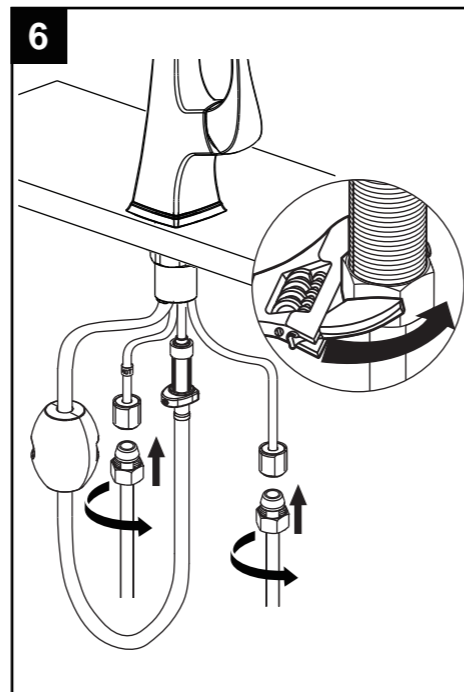
Press the spray head button at the position as the arrow shown, check for the spray function.  
This position is for spray water.



Fasten the weight to the stretching hose with screws, and then install the quick connector on the outlet pipe.



Press the button of the quick connector and connect it with the hose.



Use supply hoses (not included) to connect the cold and hot copper inlets to angle valves. Use wrench to tighten the coupling nuts.  
Turn on water supplies and check all connections for leaks.