



# LAVATORY FAUCET

- **Wedge Collection**
- **Single Handle Vessel Lavatory Faucet**
- **1-Hole Installation**

## STANDARD SPECIFICATIONS

- Super brass spout
- Zinc handle
- 35mm ceramic cartridge
- 24" Flexible stainless steel inlet hose with 3/8" Compression Connection
- Without pop up waste
- 1.2gpm max @ 60psi

## FINISHES INCLUDE

- Chrome (UF37900)
- PVD Brushed Nickel (UF37903)
- Oil Rubbed Bronze (UF37905)
- Matte Black (UF37907)

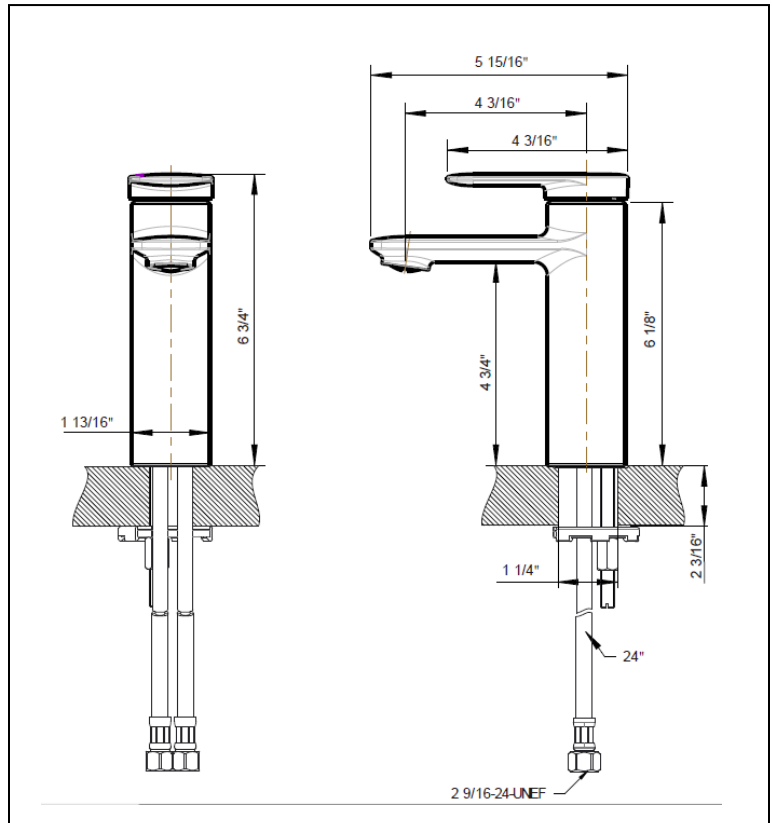


## WARRANTY

- Limited lifetime warranty on workmanship and materials to the original purchaser

## COMPLIES WITH

- NSF 61-9
- ASME A112.18.1
- CSA B125.1
- IAPMO/UPC/cUPC
- AB1953
- EPA WaterSense
- ADA



tel. 888-OK-ULTRA (658-5872) • fax. 949-252-9989 • <http://www.ultrafaucets.com>

*This specification is provided for reference only. Ultra Faucets reserves the right to modify specifications and materials without notice or obligation.*