



LAVATORY FAUCET

- **Nita Collection**
- **Centerset Lavatory Faucet**
- **3-Hole Installation**

STANDARD SPECIFICATIONS

- Ceramic disc cartridge
- 3-hole installation
- lead free spout
- Hybrid water way
- Non metal lift pop-up assembly
- Hybrid shank inlet with 1/2" male NPSM connection
- 1.2gpm max @ 60psi

FINISHES INCLUDE

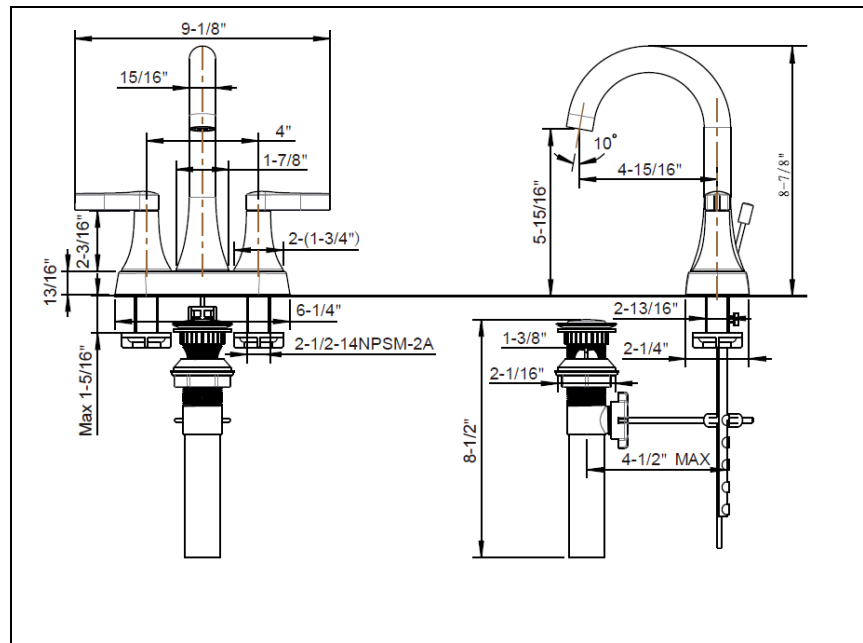
- Chrome (UF46410)
- PVD Brushed Nickel (UF46413)
- Oil Rubbed Bronze (UF46415)
- Matte Black (UF46417)

WARRANTY

- Limited lifetime warranty on workmanship and materials to the original purchaser

COMPLIES WITH

- NSF 61-9
- ASME A112.18.1
- CSA B125.1
- IAPMO/UPC/cUPC
- AB1953
- EPA WaterSense



tel. 888-OK-ULTRA (658-5872) • fax. 949-252-9989 • <http://www.ultrafaucets.com>

This specification is provided for reference only. Ultra Faucets reserves the right to modify specifications and materials without notice or obligation.