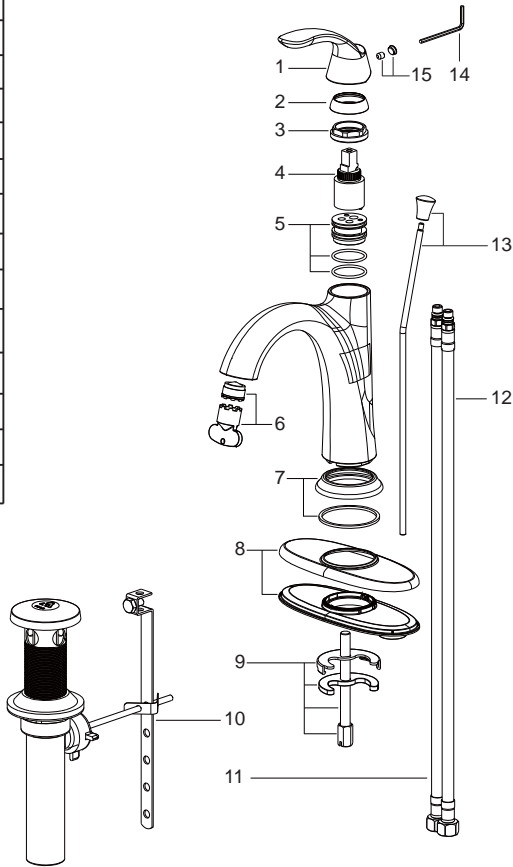


**UF30600**  
**UF30603**  
**UF30605**

No.	Description	Part No.
1	Handle	5C0075400CP/AP/HA0
2	Trim Cap	5L0P0277CP/AP/HA
3	Retainer Nut	5T0C0171NT
4	Ceramic Disc Cartridge	5D8005400PL0
5	Cartridge Base	5Y0197900NT0
6	Aerator Assembly	5Y0198000PL0
7	Spout Ring	5Y0198100CP/AP/HA0
8	Deck Plate Assembly	5Y0198200CP/AP/HA0
9	Mounting Hardware	5Y0198300ZZ0
10	Pop-Up Assembly	5Y0M0089CP/AP/HA
11	Inlet Hose(Hot)	5G0003200CC0
12	Inlet Hose(Cold)	5G0003300CC0
13	Lift Rod	5Y0198400CP/AP/HA0
14	Allen Key 2.5mm	51002812NT
15	Screw & Button	5Q0M0143PL



### Limited Lifetime Warranty

Ultra Faucets warrants to the original purchaser that its products will be free from defects in workmanship and materials. All Ultra Faucets are provided with a life time limited warranty. This warranty does not cover any other labor or service charges associated with the removal, repair, or reinstallation of Ultra Faucets products. This express warranty does not apply to products that have been damaged as a result of misuse, abuse, negligence, accident, faulty installation or maintenance practices and/or used in any manner contrary to those recommended by the manufacturer.

**Need help?** Please call our toll-free customer service line at 1-888-658-5872 for additional assistance or service.

**Besoin d'aide?** Veuillez communiquer avec notre service à la clientèle au numéro gratuit 1-888-658-5872 pour tous renseignements ou services complémentaires.

**¿Requiere asistencia?** Llame a nuestro Servicio al Cliente, sin costo, al 1-888-658-5872 para asistencia adicional o servicio.

# Stiletto Collection

## Single-Handle Lavatory Faucet



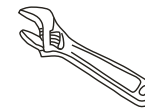
## Installation/Installation/Instalación

**CUSTOMER SERVICE**  
**TOLL-FREE 1-888-OK-ULTRA (658-5872)**

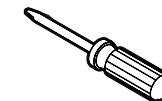
**UF30600 - Polished Chrome**  
**UF30603 - PVD Brushed Nickel**  
**UF30605 - Oil Rubbed Bronze**



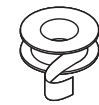
### Tools You Will Need / Outils dont vous aurez besoin / Herramientas necesarias



Adjustable Wrench  
Clé à molette  
Llave ajustable



Phillips Screwdriver  
Tournevis Phillips  
Destornillador cruciforme



Pipe Tape  
Ruban pour tuyau  
Cinta selladora para rosca

### SAFETY TIPS

- If you use soldering for the installation of the faucet, the seats, cartridges and washers will have to be removed before using flame. Otherwise, warranty will be void on those parts.
- Cover your drain to avoid losing parts.
- 0°C~55°C.

### CONSIGNES DE SÉCURITÉ

- Si vous posez le robinet par brasage, il est essentiel de retirer les sièges, les cartouches et les rondelles avant d'appliquer la flamme, faute de quoi la garantie sur ces pièces sera annulée.
- Couvrez le drain pour ne pas perdre des pièces.
- 0°C~55°C.

### CONSEJOS DE SEGURIDAD

- En el caso de utilizar soldadura para instalar el grifo, remueva los asientos, cartuchos y arandelas antes de usar la llama. De lo contrario, se anulará la garantía para esos componentes.
- Tape la boca del desagüe para prevenir la pérdida de piezas pequeñas.
- 0°C~55°C.

