



LAVATORY FAUCET

- **EURO Collection**
- **Single-Handle Lavatory Faucet**
- **Single-Hole Installation**

STANDARD SPECIFICATIONS

- Low lead brass body
- Zinc Handle
- 35mm ceramic cartridge
- 24" flexible stainless steel inlet hose with female 3/8" compression fitting
- Neoperl aerator

FINISHES INCLUDE

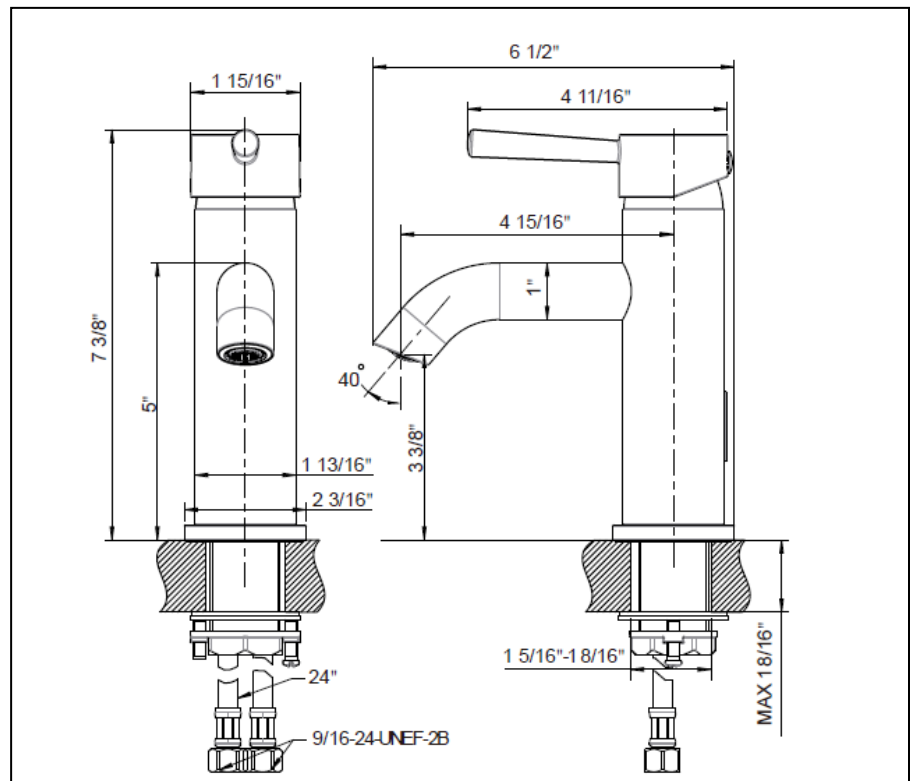
- Chrome (UF36500)
- PVD Brushed Nickel (UF36503)
- Oil rubbed bronze (UF36505)
- Matte Black (UF36507)

WARRANTY

- Limited lifetime warranty on workmanship and materials to the original purchaser

COMPLIES WITH

- NSF 61-9
- ASME A112.18.1
- CSA B125.1
- IAPMO/UPC/cUPC
- AB1953
- EPA WaterSense
- ADA



tel. 888-OK-ULTRA (658-5872) • fax. 949-225-6099 • <http://www.ultrafaucets.com>

This specification is provided for reference only. Ultra Faucets reserves the right to modify specifications and materials without notice or obligation.